



SLU-100-ASA SLU-100-ASD

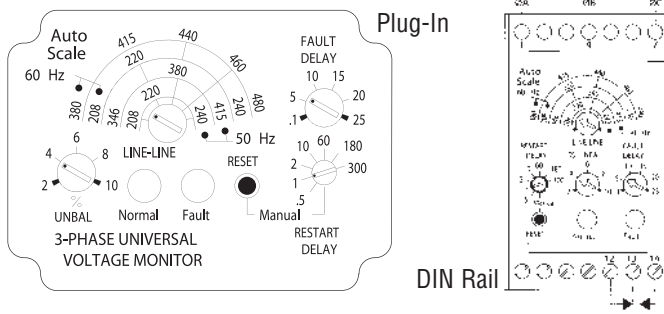


Universal Phase Monitor

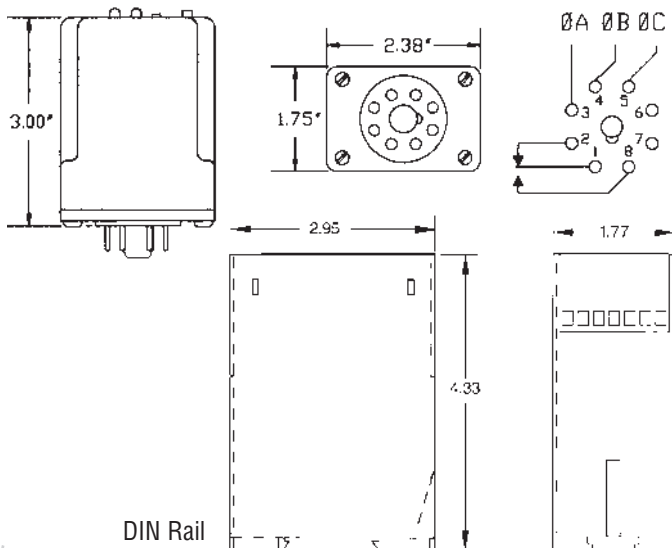
ORDERING INFORMATION

MODEL NUMBER	DESCRIPTION
SLU-100-ASA	Universal Phase Monitor
SLU-100-ASD	Din Rail Mount Universal Phase Monitor

TOP LABELS



DIMENSIONS (INCHES)



Phase Monitor Relays (3-Phase Monitors) provide cost-effective protection against premature equipment failure caused by voltage faults on 3-Phase systems (Wye or Delta). The SLU Series multi-mode phase monitoring relay, was designed for the convenience of electrician's, maintenance managers and engineers. A single SLU Phase Monitoring Relay can be easily adjusted for the *voltage, imbalance percentage* and time delay requirements to protect against *unbalanced voltages* or *single phasing* regardless of any regenerative voltages.

Both **Delta** and **Wye** systems may be monitored. In Wye systems, connections to neutral are NOT required.

NOTE: Not recommended for generator or variable frequency drive applications. Call technical support for application assistance.

SPECIFICATIONS

AUTO RANGING SCALES	Frequency	Nominal Line-to-Line Voltages	Adjustable Range
	60Hz	208, 220, 240	200-250
		380, 415, 440, 460, 480	360-500
50Hz	208, 220, 240 346, 380, 415	200-250 330-430	
VOLTAGE BAND	Drop-out	±10% of Range Setting (Under/Over)	
	Pick-up	±7% of Range Setting (Under/Over)	
MAXIMUM VOLTAGE	550 VAC (Line-to-Line)		
PHASE SEQUENCE	ABC (Will Not Operate On CBA Sequence)		
POWER REQUIRED	90VA Max.		
PHASE UNBALANCE	2% to 10%, Adjustable Drop-out		
	Hysteresis	10% of Setting	
PHASE SHIFT	13° Drop-out, 12° Pick-up (Ø-Loss)		
FREQUENCY SHIFT	Drop-out	± 4%	
	Pick up	± 3%	
RESET	Automatic or Manual Mode		
RELAY OUTPUT	SPDT, 10A @ 240VAC Resistive, 1/2 HP @240VAC		
INDICATORS	Normal (Green LED)	Flashing Fault Delay Active	Continuous Relay Energized
	Fault (Red LED)	Restart Delay Active	Relay De-energized
	Power Up	2.5 S Minimum	
RESPONSE TIMES	Fault Delay	0.1 to 25 S, Adjustable	
	Severe Fault	100mS (Phase-Loss, Unbalance or Phase Reversal)	
		Restart	0.5 to 300 S, Adjustable (Auto Reset)
TEMPERATURE RATINGS	Operate	32° to 131°F (0° to +55°C)	
	Storage	-49° to 185°F (-45° to +85°C)	
REPEAT ACCURACY	1% @ Fixed Condition		
TERMINALS (DIN)	Slotted Screw Terminal Clamps, 12AWG Max.		
ENCLOSURE	Style "A"	LEXAN® Dust Cover	
	DIN	35mm DIN Rail, 14 Term Polycarbonate Housing	
WEIGHT	0.35 to 0.5 lbs.		